

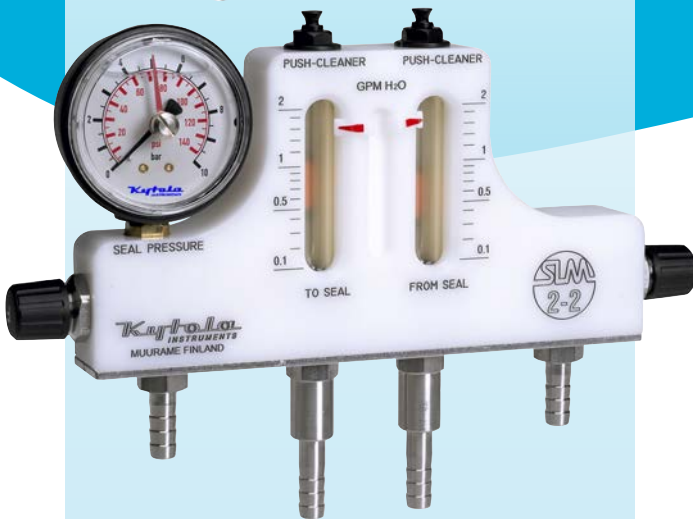
The KYTOLA® Seal Water Flow Meter Model SLM protects your seal and reduces downtime. Significant savings are achieved in maintenance and seal water costs.



SLM
also available with
local alarm light



SEAL WATER FLOW METER SLM, SLMx-2



- Reliable operation
- Solid construction
- Reduced seal maintenance
- Built-in cleaner does not interfere with operation
- Excellent corrosion and heat resistance
- All models alarm-ready
- Clear metering scale

FEATURES

- Clog resistant flow control valve
- Built-in tube cleaner
- Hose barb connectors
- Alternative connectors on request
- Mounting bracket

SLM APPLICATIONS

- Single and double mechanical seals
- Gland packings
- Flush water
- Purging
- Other flow measurement

SLMx-2 APPLICATIONS

- Double mechanical seals

SLM Seal Water Flow Meter

Most pumps, agitators, refiners, screens etc. with shaft seals require an uninterrupted sealing water flow to ensure proper function of the seal.

The purpose of seal water is to:

- Cool the seal
- Lubricate the seal
- Prevent the process media from entering the seal chamber

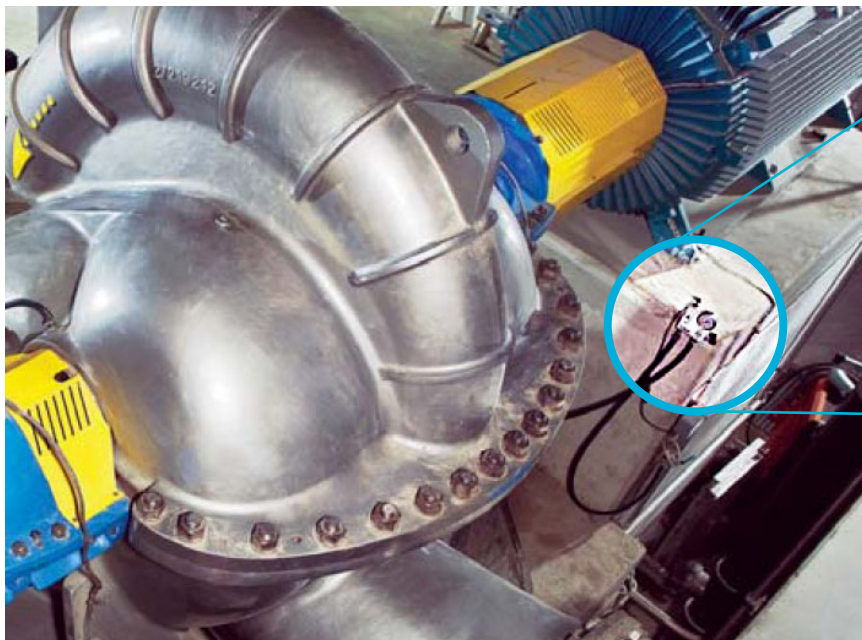
Also the seal condition can be determined by proper monitoring of the seal water flow and pressure.

Stop pouring money into the drain

Adequate cooling and lubrication are essential for any kind of seal.

However, uncontrolled flow may multiply the necessary water and energy consumption. It is easy to create huge savings in costs by reducing excess water flow with accurate and proper adjustment of seal water flow and pressure.

The Kytola SLM Seal Water Flow Meter is especially designed for applications on pumps and mechanical seals in processes and applications where uninterrupted seal water flow is required.



Innovative design offers durability and flexibility

The various Kytola seal water flow meter models guarantee compatibility with all seal types. The strong and compact design ensures maximum resistance to external impact.

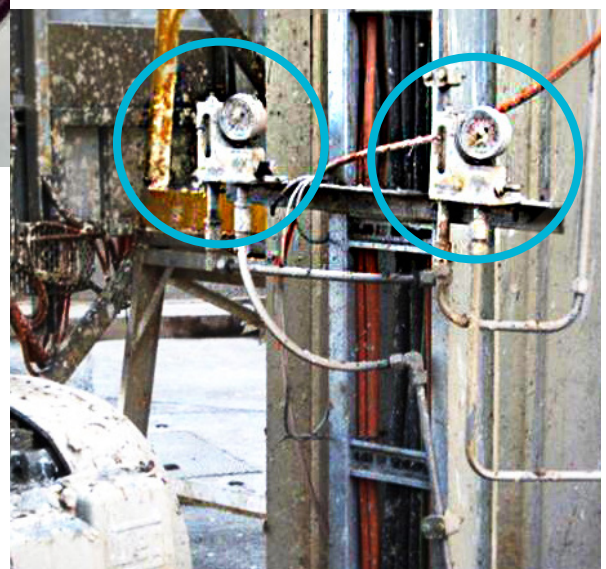
The SLM has been specially optimized to withstand contaminated water. Reliable and accurate flow measurement is based on a variable area metering principle using a free-floating float. The seal water flow meter can also be easily equipped with an alarm output by utilizing an inductive proximity sensor.



Easy maintenance reduces down time

The built-in cleaner is designed not to interfere with operation. It effectively removes built-up contaminants.

The long, clear metering scale guarantees visibility and easy inspection of flow level.



QUENCH SEALS SLM



SINGLE SEALS AND PACKINGS SLM with pressure gauge



Pressure gauge, options G...E

DOUBLE MECHANICAL SEALS SLM with pressure gauge and pressurizing valve



Pressure gauge, options G...E

Pressurizing valve, option P

DOUBLE MECHANICAL SEALS DUAL SLM with pressure gauge



SLM

Range Code	Flow Rate	Adjustable Alarm Range	
0.025 – 0.4	L/min	0.03 – 0.25 L/min	0.4
0.05 – 1	L/min	0.1 – 0.55 L/min	1
0.1 – 3	L/min	0.4 – 2 L/min	3
0.5 – 8.0	L/min	1 – 5 L/min	8
1 – 13	L/min	2 – 9 L/min	13
0.25 – 6	USGPH	0.5 – 4 USGPH	6
1 – 15	USGPH	1.5 – 9 USGPH	15
2 – 50	USGPH	6 – 35 USGPH	50
0.1 – 2	USGPM	0.25 – 1.2 USGPM	2
0.25 – 3.5	USGPM	0.5 – 2.5 USGPM	35

Optional Accessories

Inductive prox. sensor 20 – 250 VAC/DC (ILK-M18-AB)	A
Inductive prox. sensor 10 – 55 VDC (ILK-M18-FR)	F
Intrinsically safe NAMUR sensor, 10 mm range (ILK-M18-N-10)	I
Pressure gauge 0 – 10 bar	G
Pressure gauge 0 – 25 bar	E
Standard POM body with optional borosilicate glass flow tube (instead of standard PSU tube)	L
Optional PVDF body (with borosilicate glass flow tube)	K
Optional PVDF body (with PSU flow tube)	KM
Pressurizing valve	P
Floor mounting stand	S

Connectors

10 mm hose barb connectors, standard (*=leave empty)	*
10 mm straight tube connectors for compression fittings	R
3/8" straight tube connectors for compression fittings	N
<i>Other connection choices available on request</i>	

Example: SLM3-AGP (= Flow rate 0.1 – 3 L/min, alarm range 0.4–2 L/min, inductive prox. sensor 20–250 VAC/DC, pressure gauge 0–10 bar, pressurizing valve, 10 mm hose barb connectors)

DUAL SLM

Range Code	Flow Rate	Adjustable Alarm Range	
0.05 – 1	L/min	0.1 – 0.55 L/min	1
0.1 – 3	L/min	0.4 – 2 L/min	3
0.5 – 8	L/min	1 – 5 L/min	8
1 – 15	USGPH	1.5 – 9 USGPH	15
2 – 50	USGPH	6 – 35 USGPH	50
0.1 – 2.0	USGPM	0.25 – 1.2 USGPM	2

Optional Accessories

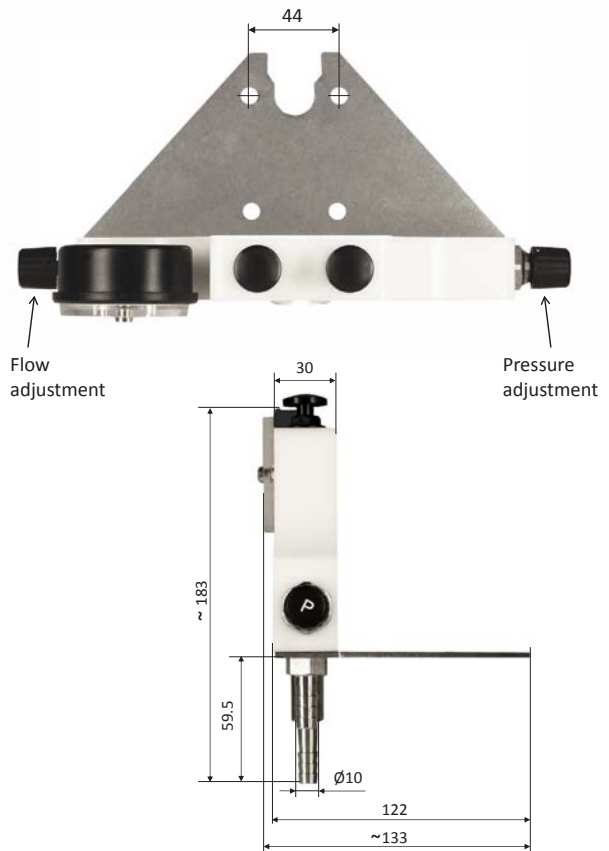
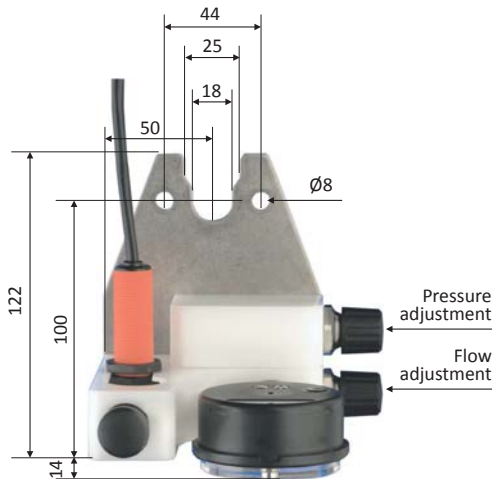
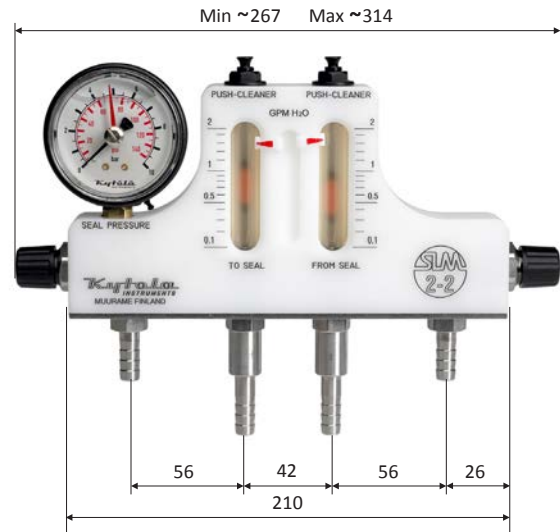
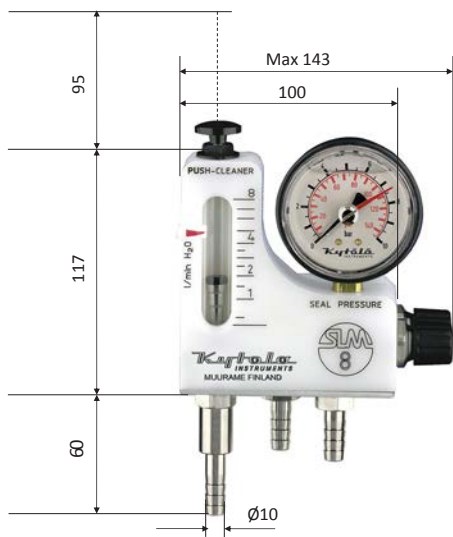
Inductive prox. sensor 20 – 250 VAC/DC (ILK-M18-AB)	A
Two inductive prox. sensors 20 – 250 VAC/DC (ILK-M18-AB)	AA
Inductive prox. sensor 10 – 55 VDC (ILK-M18-FR)	F
Two inductive prox. sensors 10 – 55 VDC (ILK-M18-FR)	FF
Intrinsically safe NAMUR sensor, 10 mm range (ILK-M18-N-10)	I
Two intrins. safe NAMUR sensors, 10 mm range (ILK-M18-N-10)	II
Pressure gauge 0 – 10 bar	G
Pressure gauge 0 – 25 bar	E
Standard POM body with optional borosilicate glass flow tube (instead of standard PSU tube)	L
Optional PVDF body (with borosilicate glass flow tube)	K
Optional PVDF body (with PSU flow tube)	KM
Floor mounting stand	S

Connectors

10 mm hose barb connectors, standard (*=leave empty)	*
10 mm straight tube connectors for compression fittings	R
3/8" straight tube connectors for compression fittings	N
<i>Other connection choices available on request</i>	

Example: SLM8-2-AAG (= Flow rate 0.5 – 8 L/min, alarm range 1–5 L/min, two inductive prox. sensors 20–250 VAC/DC, pressure gauge 0–10 bar, 10 mm hose barb connectors)

Model	SLM	SLMx-2
Body material	POM (PVDF optional material, code "K")	
Flow tube	PSU with standard POM body (optional borosilicate glass tube, code "L") or borosilicate glass tube with PVDF body, material code "K" (optional PSU tube, code "KM")	
Metallic parts	AISI 316, float AISI 329	
O-ring seals	Viton®	
Max. pressure	20 bar	
Max. temperature	100°C	
Connectors	3/8" (10 mm) hose barb connectors	
Weight (incl. package, pressure gauge, pressurizing valve)	1.2 kg	2.4 kg



All measures in millimetres if not stated otherwise. Copyright © Kytöla Instruments Oy 2015. Dimensions and measurements are given within normal tolerances. Manufacturer reserves the right to changes without prior notification. Published 10/2015.



www.kytola.com

Kytöla Instruments Oy
 Olli Kytölään tie 1
 FI-40950 Muurame, Finland
 Tel. +358 20 779 0690
 Fax +358 14 631 419
 E-mail info@kytola.com